

# Mx350i-DW

## Compact, airless and cost-effective labelling

The smallest labelling solution in the **Mx-Series** range, the **Mx350i-DW** offers a direct-wipe system for simple labelling requirements. It provides fast and accurate labelling on moving products or packages without requiring any compressed air. It is a cost-efficient model, yet it maintains the same overall clean design and flexibility that the Domino print and apply range is well known for.



### Easy to integrate

- ◆ Advanced connectivity options enable effortless integration with ERP, WMS, and MES systems within your factory, for smooth operation and enhanced productivity.
- ◆ With one of the most flexible and streamlined designs on the market, the **Mx350i-DW** print and apply solution is available in both left- and right-hand variants, for seamless integration into any production line.



### Easy to use

- ◆ The **Mx350i-DW** is made user-friendly with its integrated UI and optional remote 10-inch touchscreen, ensuring easy operation.
- ◆ The robust design and clever functionality minimise the time required for media changes and maintenance, so you can maximise production uptime.

### Easy to adapt

- ◆ The **Mx350i-DW** is built to endure, promising a long life, while its adaptability ensures it can meet your evolving labelling needs without requiring costly investments.
- ◆ The system is highly configurable and offers a multitude of options to further refine and simplify your labelling processes.

[www.dominoindia.com](http://www.dominoindia.com)



# A complete solution for all labelling needs



Our services are designed to provide operational insight so you can reduce downtime and maximise production efficiency

## Operational support

Our extended warranty packages provide high-quality, on-site assistance and augmented reality-enabled remote guidance from our engineers. **SafeGuard** helps to ensure we can be with you when you need us most.

## Automatic code inspection

Ensure every code that leaves your factory is present and correct, and free up operator time. With **R-Series**, Domino's range of vision control systems, you can automate your code inspection to validate code presence, placement, and readability.

## Central label management

**Domino Automation** easily integrates into your manufacturing process as well as your ERP/MES systems. It makes automatic changeovers safe and simple, helping you to reduce waste and drive sustainability initiatives while increasing productivity and efficiency.

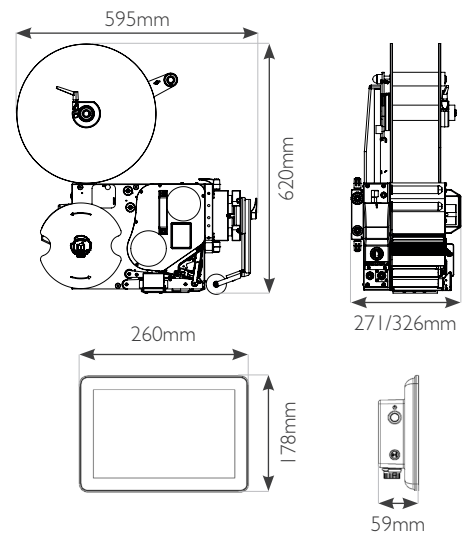
## Smart production

Gain operational insight by connecting your printer to **Domino Cloud**. Obtain production analytics dashboards and receive system error alerts. **Domino Cloud** provides you with the information you need to run your operations more efficiently.



## Technical specification **Mx350i-DW**

Model	Mx350i-DW4	Mx350i-DW6
Print width	108mm (4-inch)	162mm (6-inch)
Print technology	Thermal transfer / Direct thermal	
Print resolution	12 dots/mm (300dpi)	
Printer variants	Left hand or Right hand	
Max print speed	400mm/s	250mm/s
Distance to product	0mm	
Product motion	Moving	
Apply method	Direct wipe	
Label position		
Recommended label width	25-110mm	25-166mm
Recommended label length	30-300mm	
Label & ribbon roll length	Up to 600m	
Input voltage	90-250VAC 50/60Hz	
Communication	4x Ethernet, TCP/IP, 2x USB-A, 1x USB-B	
I/Os (configurable)	12 inputs and 12 outputs	



CONTACT US

## TALK TO AN EXPERT

- +91-900 900 6612
- enquiry@dominoindia.com
- www.dominoindia.com