

Contactless printing on flexible films and foils

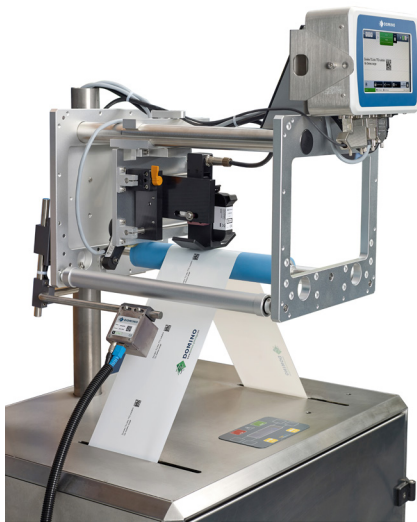
Are you looking to replace your aging Thermal Transfer (TTO) printer?

Domino's Thermal Inkjet (TIJ) into TTO solution with the Domino **Gx-Series** range is ideal for printing onto flexible packaging lines.

They provide the same code quality on your product at a fraction of the cost, hassle and waste of a traditional TTO system.

Ideally suited for a broad range of plastic and metalized film applications, the TIJ into TTO solution drops directly into your line using the same TTO brackets, meaning minimum effort for maximum reward.

So you can immediately benefit from improved user-friendliness and lower cost of ownership whilst reducing waste and inventory.



Breakthrough in Sustainability

- ◆ Become a waste reduction winner by cutting coding waste by a massive 14 times.
- ◆ Not only will you use less, **Gx-Series** cartridges are also significantly smaller and easier to recycle than ribbons.

93%
Saving in
Waste

Breakthrough in Total Cost of Ownership

- ◆ Over 50% cost savings on 1 and 2 line text coding applications.*
- ◆ Using the **Gx-Series** ink saving features you can reduce ink consumption even further.
- ◆ Free up storage space: bulky ribbons are replaced with small TIJ cartridges meaning factory space reduction or re-use.

50%
Saving in
Cost

Breakthrough in User Experience

- ◆ Plug-and-play cartridges make consumables changes fast, removing tricky ribbon threading.
- ◆ With Domino's intuitive **QuickStep 3** touchscreen user interface, you can quickly adjust settings or create a new print layout.
- ◆ **Gx-Series** is simple to operate, needs less interaction and offers a service-free solution.

75%
Saving in
Effort

*all figures obtained based on a representative range of text coding applications, actual results may vary by application or site

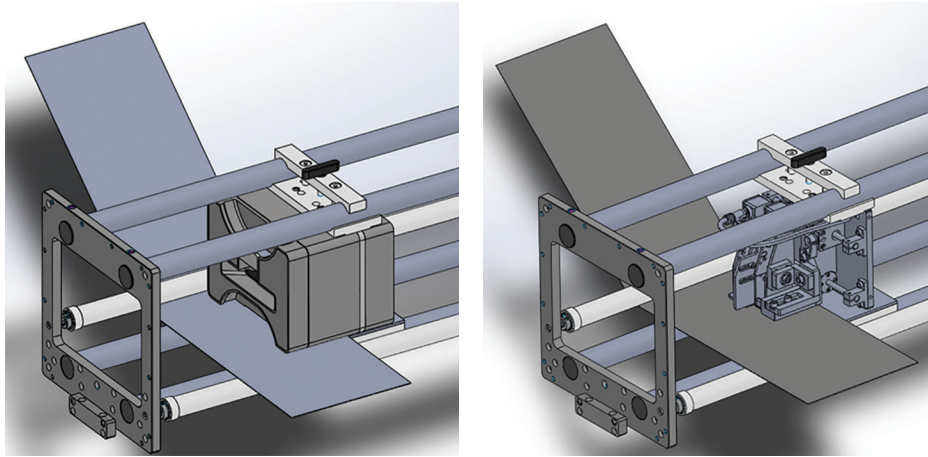
www.domino-printing.com

Domino. Do more.

Less waste, less cost, less effort

Designed for retrofitting, our TIJ into TTO solution with the Domino **Gx-Series** range fits into your existing TTO printer space. It can be customized to accommodate various heights and sizes.

Swapping out your old TTO and mounting the TIJ into TTO bracket with **Gx-Series** printheads is quick, easy and means you are ready to print again.

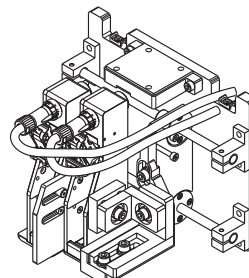
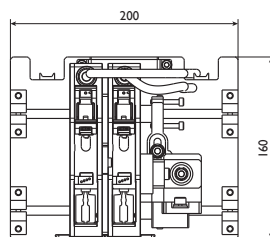
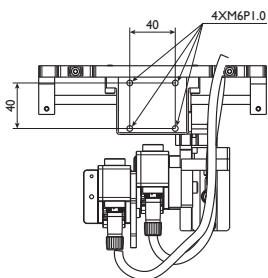


Technical specification

Controller	Gx150i
	7" touchscreen, 2 printheads/controller
3T Bracket	
Standard measurements	Width 200mm / height 160mm; bracket is customized to the individual application
Mounting	Fixation points match TTO fixation points; adaptor plate for additional height adjustment
Print orientations	Downwards and up to 90° angle
Printing specifications	
Print height	12.7mm per print head; max 25.4mm across 2 printheads
Print speed and resolution	from 300m/min at 60dpi to 30m/min at 600dpi
Print head cables	1.5, 3, 6, 12, or 25m
External connections	1 encoder; I/Os for beacons, product detects or other; 2 USBs (type A), RS232C, 2x LAN
Electrical supply	100-240V AC, 50-60 Hz, 2 A
Communication	Dynamark / EDC (over serial, TCP/IP, USB)

Domino Gx350i
ABCdef 12345

Domino V230i
ABCdef 12345



An enclosure may eventually be made available



TALK TO AN EXPERT

800.444.4512

solutions@domino-na.com

www.domino-na.com/contact